

AC-DC 60W

6A-602WMXX

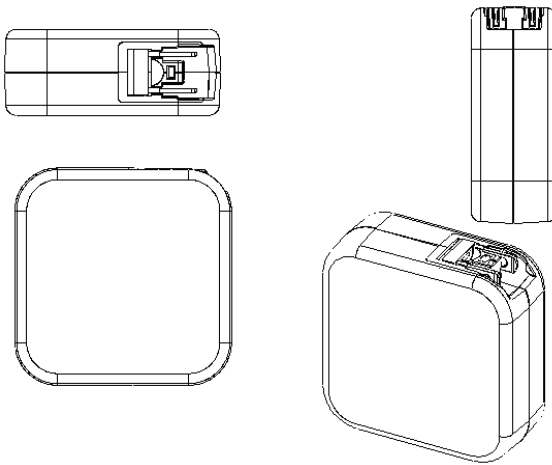
Level VI CoC Tier 2

WALL-MOUNT
(Foldable type)

Features:

- IEC/EN/UL/CUL 62368 & 60950
- Universal AC Input 90~264Vac
- Regulated Output With Low Ripple Noise
- 100% burn in test
- 1 year warranty
- CEC,DoE Level VI,ErP Stage 2,CoC Tier 2,GEMS
- WEEE / ROHS 2.0 / REACH 2.0
- Safety : UL/CUL,FCC

Dimension:



Model No.	O/P Voltage	O/P Current	O/P Watts
6A-602WM19	19V	3.42A	64.98W
6A-602WM24	24V	2.7A	64.80W

Specification:

Input	Voltage	AC 90V~264V Universal Full Range
	Frequency	47-63Hz
	Current	1.5A
	Leakage Current	< 0.25mA
Others Protection	Start up time	< 3000mS @115VAC Full Load
	Rise time	<100mS
	Hold up time	>15mS @ 230Vac/50Hz input
	Protection	OCP/OVP/SCP
	Cooling	Natural Convection Cooling
Environment	Temperature	Operating: 0~40°C;Storage: -10~+70°C
	Humidity	Operating: 20%~85%;Storage: 10%~95%(Non Condensing)
M.T.B.F	50K Hours MIL-HDBK-217F @115VAC/ 230VAC Full Load Ambient : 25°C	
Safety Regulation	UL 62368-1, CSA C22.2 No.62368-1, IEC62368-1, EN62368-1	
	UL 60950-1, CSA C22.2 No.60950-1, IEC60950-1, EN60950-1	
EMC	EMI	FCC CFR 47 PART 15B, EN55032, EN61000-3
	EMS	EN55024(EN61204-3), EN61000-4
Energy Efficiency	Average active efficiency	> 88% Min @ 230Vac / 50Hz input
	Efficiency at low load (10 %)	> 78% Min @ 230Vac / 50Hz input
	No-load power consumption	> 0.21W Min @ 230Vac / 50Hz input

製品に関するお問合せや見積り依頼は

☎079-560-7333 ✉ info@tokitrading.co.jp

トキトレーディング株式会社

〒669-1342 兵庫県三田市四ツ辻710
www.tokitrading.co.jp

