

AC-DC 6W

6A-068WUXX

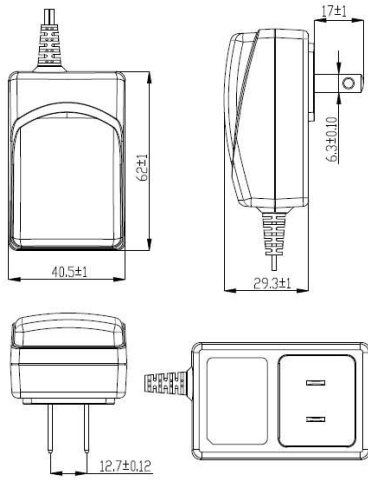
Level VI CoC Tier 2

WALL-MOUNT (Fixed type)

Features:

- IEC/EN 60335-1 & 61558-1 & 61558-2-16
- Universal AC Input 90~264Vac
- Regulated Output With Low Ripple Noise
- 100% burn in test
- 1 year warranty
- CEC,DoE Level VI,ErP Stage 2,CoC Tier 2,GEMS
- WEEE / ROHS 2.0 / REACH 2.0
- Safety : CE,CB

Dimension:



Model No.	O/P Voltage	O/P Current	O/P Watts
6A-068WU05A	5.0V	1.0A	5.0W
6A-068WU05	5.0V	1.2A	6.0W
6A-068WU06	5.95V	1.0A	5.95W
6A-068WU09	9.0V	0.67A	6.03W
6A-068WU12	12.0V	0.5A	6.0W
6A-068WU15	15.0V	0.4A	6.0W
6A-068WU18	18.0V	0.33A	5.94W
6A-068WU24	24.0V	0.25A	6.0W

Specification:

Input	Voltage	AC 90V~264V Universal Full Range
	Frequency	47-63Hz
	Current	300mA
	Leakage Current	< 0.25mA
Others Protection	Start up time	< 3000mS @115VAC Full Load
	Rise time	<20mS
	Hold up time	>20mS @ 230Vac/50Hz input
	Protection	OCP/OVP/SCP
	Cooling	Natural Convection Cooling
Environment	Temperature	Operating: 0~40℃;Storage: -10~+70℃
	Humidity	Operating: 20%~85%;Storage: 10%~95%(Non Condensing)
M.T.B.F	50K Hours MIL-HDBK-217F @115VAC/ 230VAC Full Load Ambient : 25℃	
Safety Regulation	IEC/EN 60335-1 & 61558-1 & 61558-2-16	
EMC	EMI	EN55014-1 , EN61000-3
	EMS	EN55014-2 , EN61000-4
Energy Efficiency	Average active efficiency	5W > 73.62% Min @ 230Vac / 50Hz input ; 5.94W > 78.82% Min @ 230Vac / 50Hz input 5W > 73.62% Min @ 230Vac / 50Hz input ; 5.94W > 78.82% Min @ 230Vac / 50Hz input 6W > 78.88% Min @ 230Vac / 50Hz input ; 6.03W > 78.91% Min @ 230Vac / 50Hz input
	Efficiency at low load (10 %)	5W > 63.62% Min @ 230Vac / 50Hz input ; 5.94W > 68.82% Min @ 230Vac / 50Hz input 5W > 63.62% Min @ 230Vac / 50Hz input ; 5.94W > 68.82% Min @ 230Vac / 50Hz input 6W > 68.88% Min @ 230Vac / 50Hz input ; 6.03W > 68.91% Min @ 230Vac / 50Hz input
	No-load power consumption	> 0.1W Min @ 230Vac / 50Hz input